



INSTRUCTION MANUAL

FLOW INDICATOR CUM SWITCH — MODEL 'UZ'

INTRODUCTION

SWITZER Style UZ Flow Indicator cum Switch uses the classic paddle and bellows pivot assembly where the bellows also provides total isolation between the process and the meter.

The meter has a geared movement assembly and provides a pointer travel of 270°. The scale is marked in the ratio of 1:5. The movement is sensitive to small movements of the paddle at low flow conditions also.

A second gear unit is provided to set a microswitch to provide alarm. The setting is made by inserting a knurled knob through the glass window without removing the glass. The alarm value is indicated by a red setpointer.

In addition, a bi-colour LED is provided to indicate the status of the flow.

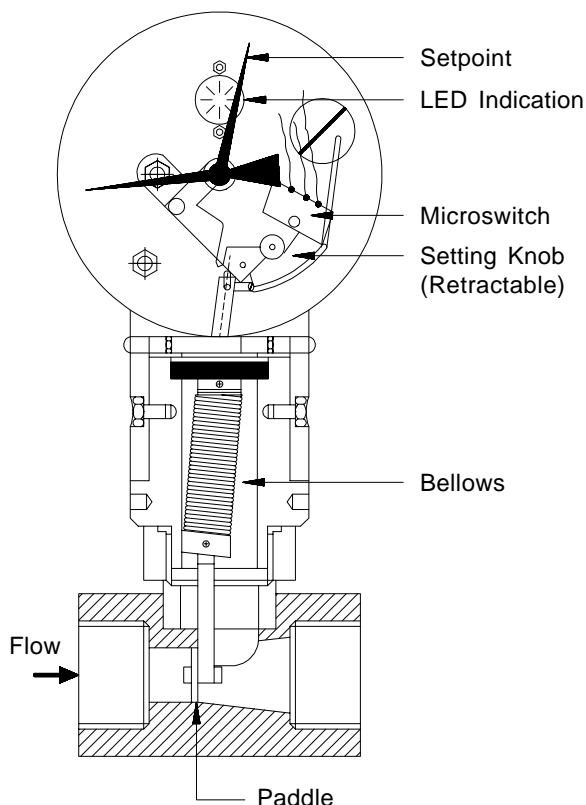
OPERATION AND SETTING

To set the switch insert the knurled knob supplied with the instrument through the window glass and engage with the alarm adjusting gear unit. Turning the knob moves the microswitch either close to or away from the pointer mechanism. The required setting position can be read by the red coloured pointer.

The LED glow is green when the flow is above the set limit and is red when the flow is below the limit.

INSTALLATION

The instructions for installation and operation mainly refer to mechanical and electrical details which are common for the whole range of Flow switches



manufactured by Switzer. The following instructions should be observed during installation and operation.

- The switches are recommended to be mounted horizontally and where required they can be mounted vertically in pipes with upward flow.
- Maintain a minimum of 5 x D straight inlet and outlet line
- Pay attention to direction of flow marked on the Flow switch
- Prior to operation, clean process pipeline to ensure removal of dirt, dust, welding slag etc., which may damage the bellows assembly irreparably.
- In case of operation with highly contaminated liquids an additional filter is recommended to be used to protect the bellow against dirt deposits.

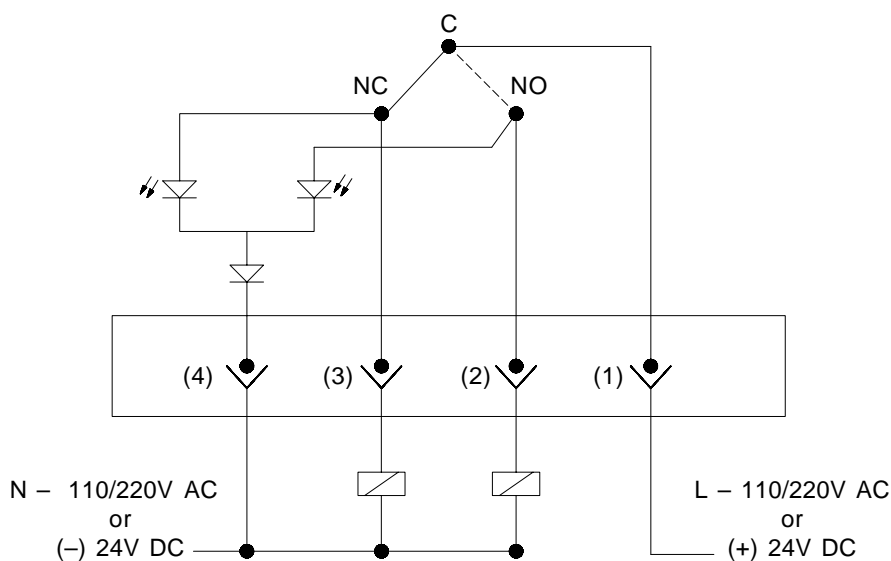
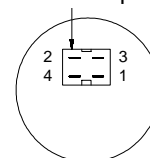
- Check operating & maximum pressure and temperature to be within limits specified in the product catalogue
- The functioning is based on the operational tolerances indicated in the specifications
- The average pressure loss individually indicated for the different products is the lowest level of system pressure necessary for proper operation
- Ensure minimum flow volume required for proper operation (switch volume + hysteresis = minimal operational volume for proper operation). The % hysteresis is indicated in the individual descriptions.
- Wire the instrument as per the schematic given. The movement of the process pointer actuates the microswitch at the preset scale value.
- Avoid overloading the switch/indicator or metering system
- For special designs and additional features consult Switzer

WIRING

A plug-in connector is located at the rear of the meter.

Field wiring must be connected to “female plug” and then it must be pushed into the male receptacle fixed to the instrument.

Male Receptacle



CAUTION : Connect terminal “4” to Neutral or Negative without fail. If it is not connected then, not only LED will fail to glow, but also the relay switching will not be proper.



SWITZER INSTRUMENT LIMITED

Regd. Off : 14, Thanikachalam Road, P.B.No.1423, Chennai 600 017.

Internet web-site
www.switzer@switzerinstrument.com

SALES – HEAD OFFICE

9, South Boag Road, T. Nagar, Chennai 600 017

Ph : 044-4340999 / 4343956 / 4344321 Fax : 044-4347887

E-mail : sales.hq@switzerinstrument.com

WORKS OFFICE

127 Sidco Estate, Ambattur, Chennai 600 098

Ph : 044-6242244 / 6242255 / 6243355 / 6248849 Fax : 044-6258739

E-mail : switzer@eth.net ; works@switzerinstrument.com