



# INDICATING PRESSURE TRANSMITTER — 2-WIRE

# K-712

- HERMETICALLY SEALED SILICON WAFER SENSOR ● 316 SS WETTED PARTS ●
- HIGH ACCURACY ● HIGH CONTRAST LCD DISPLAY ●
- 'mbar' & 'BAR' RANGES ● INTRINSICALLY SAFE VERSION ●



K - 712

SWITZER K-712 Indicating Pressure Transmitter utilises the latest thin Film technology and high stability electronics to ensure exceptional performance. The transmitter measures gauge pressure of liquids, gases and vapours. The process pressure is converted into standard 4–20 mA Analog DC signal, proportional to

the input pressure. High stability electronics with full temperature compensation ensures minimal drift with ambient and process temperature changes.

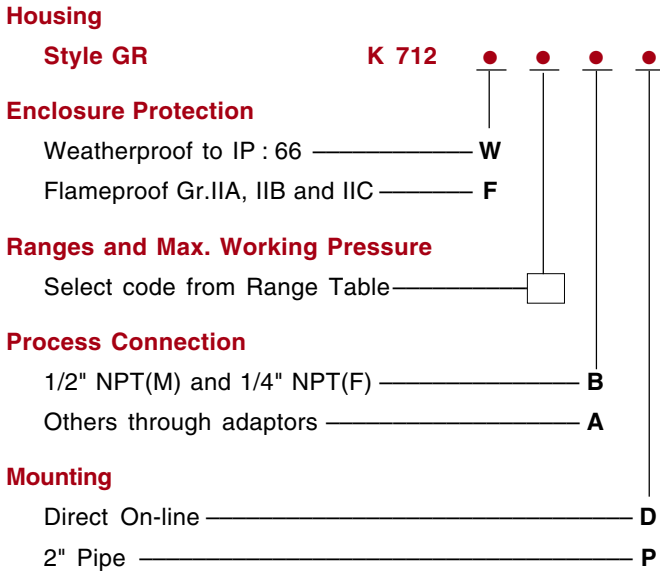
High contrast LCD display enables easy reading of pressure in the field.

## GENERAL SPECIFICATIONS

<b>Design</b>	2-Wire; Intrinsically Safe	<b>Connection</b>	
<b>Sensor</b>	Piezo-resistive stainless steel sensor	<b>Process Electrical</b>	1/2" NPTM & 1/4" NPTF Screw clamp terminals through 1/2" NPTF Cable Entry
<b>Enclosure</b>		<b>Temperature Limits</b>	
<b>Style</b>	GR	<b>Process</b>	– 40°C to 125°C for 350 mbar & 1 to 350 bar – 20°C to 70°C 70 mbar
<b>Material</b>	Aluminium	<b>Ambient</b>	0 to 55°C
<b>Protection</b>	Weatherproof to IP : 66 Flameproof to Gr.IIA, IIB, IIC of IS:2148 for all ranges.	<b>Ambient Relative Humidity</b>	95%
<b>Range</b>	0 – 70 mbar to 0 – 350 bar	<b>Mounting</b>	Direct-on-line, Surface, Wall Std. 2" pipe Optional
<b>Turn Down Ratio</b>	2 : 1	<b>Overall Dimension</b>	125 x 110 x 175 mm
<b>Max. Working Pressure</b>	Refer table	<b>Approximate Weight</b>	1.8 Kg
<b>Accuracy *</b>		<b>Display</b>	3½ digit, 7 Segment LCD, 12.7 mm
<b>Current Output</b>	Better than ±0.25%	<b>Intrinsic Safety</b>	Designed Intrinsically safe to Ex ia IIC T3 for 55°C for all ranges.
<b>Display Reading</b>	Better than ±0.25% ±1 digit		
<b>Output</b>	4 – 20 mA		
<b>Output Current Limit</b>	32 mA (max) ; 0.2mA (min)		
<b>Power Supply</b>	12 to 30V DC; 24V DC Nominal		
<b>Load Capability</b>	600 Ω @ 24V DC		

\* Accuracy includes linearity, hysteresis and repeatability

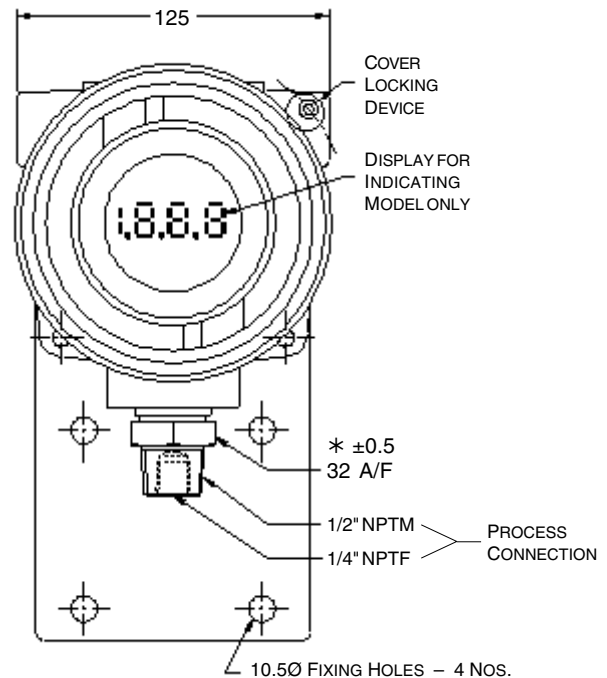
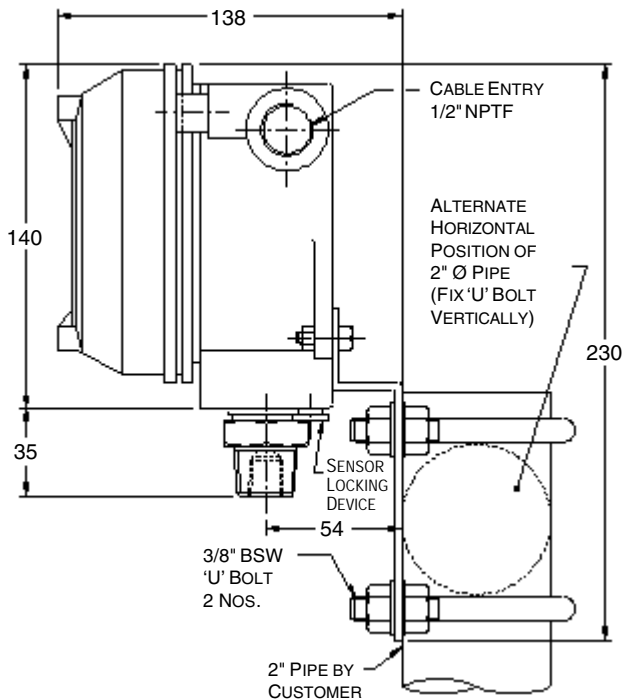
## ORDERING MATRIX



## RANGE TABLE

Range Code	Range mbar / bar	MWP mbar / bar
A	0 to 70	200
B	0 to 350	1000
J	0 to 1	3
K	0 to 2	6
L	0 to 3.5	10
M	0 to 7	20
N	0 to 20	60
Q	0 to 35	100
R	0 to 70	200
S	0 to 200	600
T	0 to 350	600

## MOUNTING DIMENSIONS



All dimensions are in mm

Prior notification of changes in specifications is impracticable due to continuous improvement.

FOR SWITZER'S OFFICES IN INDIA

CHECK AT:

<http://www.switzerinstrument.com/offices.htm>